

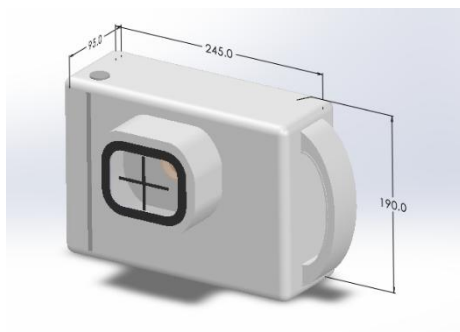
The HF Portable X-ray Generator is a compact unit which operates from battery. Weighing less than 5kGs, this handy unit is suitable for varied applications such as hospitals, small diagnostic centers, bedside x-ray, remote locations and such. The high frequency output allows for lower kV per exposure, shorter exposure and superior imaging

### Features:

- ❖ Compact & light weight
- ❖ Reduction in dose
- ❖ Superior Imaging
- ❖ Tablet / Keyboard / Touch-Screen Control
- ❖ Easy Serviceability



TECHNICAL SPECIFICATIONS	
PARAMETER	SPECIFICATION
Input Voltage	In-built battery
Model (maximum power)	810W
Maximum Output Voltage	9mA at 90kV
Output Frequency	280kHz
Protections	Against Over Voltage, Over Current, Over Temperature, Filament Fault, Inverter Fault
kV Range	45kV to 90kV
mA Range	5mA to 9mA
Exposure Time	0.1 to 2sec
Modes	APR
Focal Spot	0.5mm
Collimator	In-built with high brightness light
User Interface	Touch screen
Weight	<5kGs
Application	Hospital, Diagnostic Centre, Bedside X-ray, Remote Locations



For any queries or customization requests contact us at [info@ionics.co.in](mailto:info@ionics.co.in)  
 For product line information visit us at [www.ionics.co.in](http://www.ionics.co.in)