

The HF Portable X-ray Generator is a compact unit which operates from mains. Weighing less than 13kGs, this handy unit is suitable for varied applications such as hospitals, small diagnostic centers, bedside x-ray, remote locations and such. The high frequency output allows for lower kV per exposure, shorter exposure and superior imaging

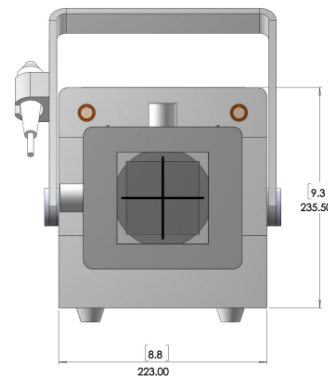
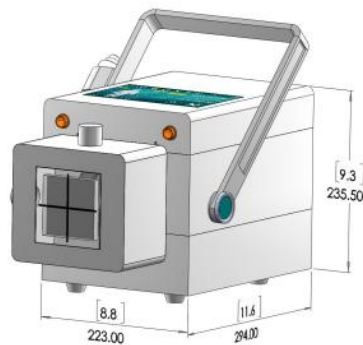
Features:

- ❖ Compact & light weight
- ❖ Reduction in dose
- ❖ Superior Imaging
- ❖ Touch-Screen Control
- ❖ Easy Serviceability



TECHNICAL SPECIFICATIONS

| PARAMETER | SPECIFICATION | |
|-------------------------------|--|--------------------------------|
| Input Voltage | 230V ±10% AC, 50Hz, single phase | |
| Model (Maximum Power) | XRP4-100 (4kW) | XRP4.2-120 (4.2kW) |
| Maximum Output Voltage | 40mA at 100kV 100mA at 40kV | 35mA at 120kV 100mA at 42kV |
| Output Frequency | 300kHz | |
| Protections | Against Over Voltage, Over Current, Over Temperature, Filament Fault, Inverter Fault | |
| kV Range | 40kV to 100kV / 120kV | |
| mA Range | 20mA to 100mA | |
| mAs/Time | 1mAs-200mAs/4ms to 3sec | |
| Modes | APR | |
| Maximum Time | 200mAs | |
| Focal Spot | 0.6/1.8 | |
| User Interface | Touch screen | |
| Dimension | 223mm x 294mm x 235.50mm | |
| Weight | <13kGs | |
| Application | Hospital, Diagnostic Centre, Bedside X-ray, Remote Locations | |



For any queries or customization requests contact us at info@ionics.co.in
For product line information visit us at www.ionics.co.in